

# Solution Kits

For EchoGuard® and EchoGuard CR

Typical Deployments.  
Accelerated.



Get more out of EchoGuard and EchoGuard CR.

**Quick Start Kit.** Everything you need to start integration and testing.

**Lightweight Deployment Kit.** A sibling to the rapid deployment kit, the LDK packs everything into a backpack weighing <20

**Tower Mounting Kit.** Three sizes to configure and operate 2 km hemispherical ground and/or airspace surveillance.



Cessna  
> 2.5 km



Vehicle  
> 3.5 km



Human  
> 2.2 km



Matrice 600  
> 1.4 km



Phantom 4  
> 1 km

# Solution Kits

For EchoGuard and EchoGuard CR

## Quick Start Kit

- + 8' interface cable
- + Quick release radar mounting bracket
- + Radar absorbing desktop foam for indoor testing and configuration
- + 24V/3A AC/DC wall supply, 5.5 mm barrel connector
- + Rugged Pelican iM2275 transport case



### Ordering Information

EchoGuard QSK      710-0002-203-100

## Lightweight Deployment Kit

- + All componets fit in pack weighing < 20 lbs. (<9 kg)
- + Compact tripod with quick release radar mounting bracket
- + Versatile 3-zip closure pack holds all equipment
- + Ships in rugged Nanuk case

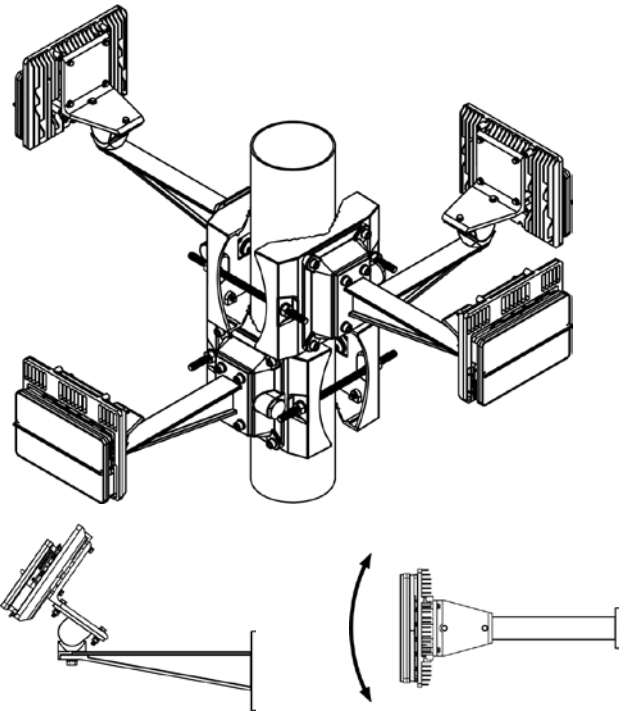
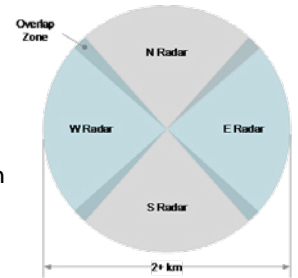


### Ordering Information

EchoGuard LDK      700028-000-100

## Tower Mounting Kit

- + 1 km sUAS radial coverage
- + Modular system includes arm brackets and pole adapter
- + Pole diameters from 65 - 225+ mm
- + Arm brackets include swivel for customized orientations



### Ordering Information

Small (65-110mm)	700-0016-001-100
Medium (80-150mm)	700-0016-002-100
Large (210-225mm)	700-0016-003-100