

EchoGuard CR[®]

4D MESA[®] Radar for Close Range Surveillance

Guard Every Perimeter

Ground and Air

Accurate and Reliable



Built for Semi-Urban, Urban, and Close-Range Environments.

RADAR PERFORMANCE

Frequency

K-band 24.45 – 24.65 GHz

Field of View

120° azimuth x 80° elevation

Track Accuracy

< 1° azimuth x < 1.5° elevation

Track Update Rate

10 Hz

Max Tracks

Up to 20 Simultaneous Tracks

Instrumented Range

1.2 km

Range

sUAV: > 225 m (Phantom 4)
> 350 m (Matrice 600)

Vehicle: > 900 m

Human: > 500 m

SWaP & ENVIRONMENTAL

Size

20.3 cm x 16.3 cm x 4 cm

Weight

1.25 kg

Power

+ 12 to + 30 VDC
Comp w/ PoE+, Class 4 Ext.
< 24 W (Operating)
< 10 W (Hot standby)

Operating Temp

- 40° C to + 75° C

Weather Protection

IP67

INTEGRATION & DATA

Control I/O

Gigabit Ethernet

Power I/O

Snap Lock 12 Pin Connector

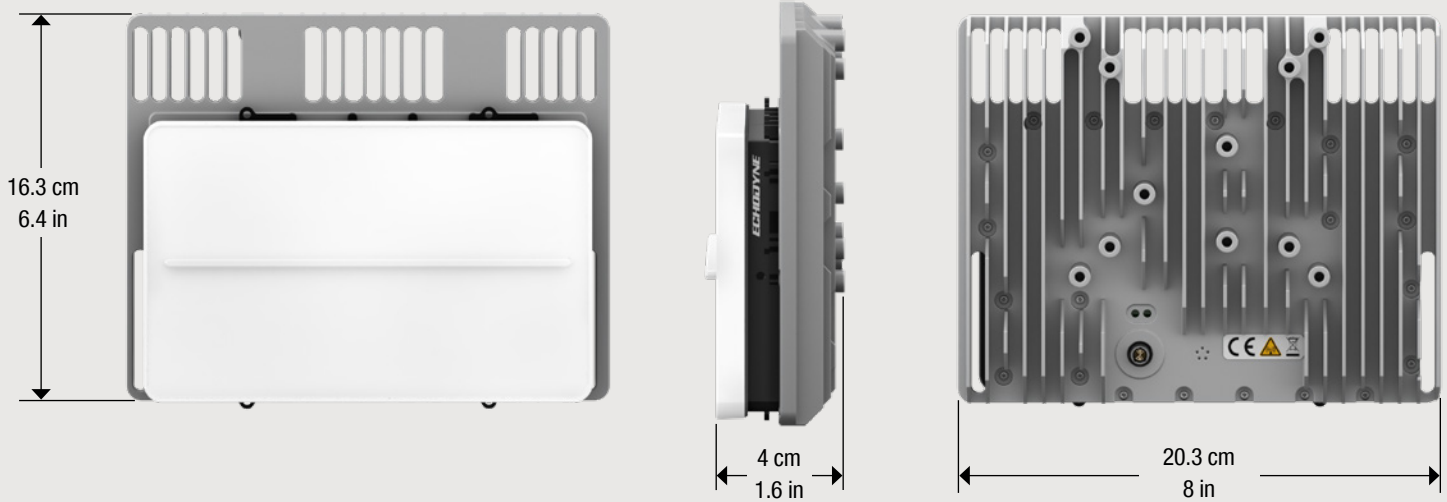
Data Output

R/V Maps: 40 MBps
Detections: 1 MBps
Measurements: 1 MBps
Tracks: 25 KBps

Mounting

VESA 75 & 100 mm

RADAR DIMENSIONS



ORDERING DETAILS

FCC ID: 2ANLB-MESASSR00053

WHITE 700-0005-203-110

Software & Support

SOFTWARE UPDATES

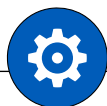
Continuous Improvement from Software-Defined Radar

- Includes All Major and Minor Releases
- Improve Radar Operations
- Enhanced Classification
- Radar Data Visualization Tools
- Radar Support Tools

TECHNICAL SUPPORT

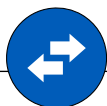
Priority Access to Radar Support

- Review and Training Sessions
- Systems Integration
- Troubleshooting
- Performance Review
- Planning



**PRIORITY
TECHNICAL SUPPORT**

Priority queuing via company match when using support@echodyne.com.



**CUSTOMER
PORTAL**

24/7 access to all tools, manuals, and materials.



**PERFORMANCE
ENHANCEMENT**

Continuous improvements through software development.



**USER
COMMUNITY**

Submit requests for features and functionality.