

EchoFlight[®]

Airborne DAA Radar

Compact Lightweight ESA.
BVLOS Enabled.

The leading radar for high performance UAV airborne detect and avoid (ABDAA).

Calibration-free plug-n-play integration, software configured to suit different operators and missions.

Ultra-low size, weight, power and cost (SWaP-C) active beam-steering radar.

Generates high fidelity data that easily integrates into C2 systems - from fully processed Tracks data to CFAR Detections data to raw Range/Velocity maps.

Echodyne offers the best airborne radar for mid-sized UAVs flying BVLOS or autonomous missions.



Cessna
> 2 km



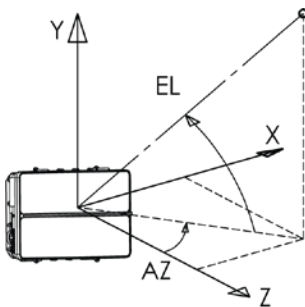
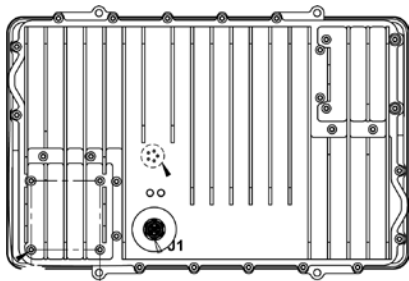
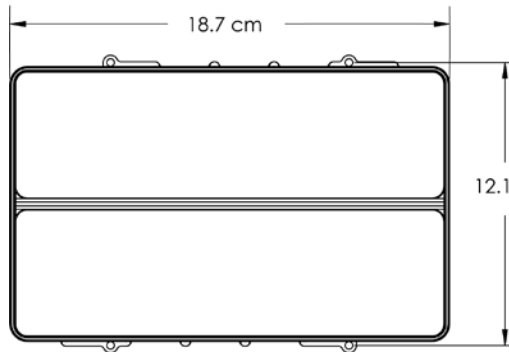
Matrice 600
> 1 km



Phantom 4
> 750 m

EchoFlight

Airborne DAA Radar



Performance

Instrumented Range	6 km
Range (sUAV)	> 750 m (Phantom 4) > 1 km (Matrice 600)
Range (Cessna)	> 2 km
Field of view	120° azimuth x 80° elevation
Angular resolution	2° azimuth x 6° elevation
Frequency	24.45 - 24.65 GHz (multi-channel)

Search While Track

Scan volume	User configurable
Search update rate	~1 Hz for 120° az x 60° el volume
Track acquisition rate	New tracks acquired <1 sec
Search While Track	Tracks updated up to 10 Hz while radar intelligently scans rest of FOV
Max tracks	Up to 20 simultaneous tracks
Modes	Operational modes enable quick simple tracking of humans & UAVs

SWaP and Environmental

Size	18.7 cm x 12.1 cm x 4 cm
Weight	730 g (forced air cooling) 817 g (natural convection)
Power	DC +12 V to +28 V < 40 W (Operating) < 15 W (Hot standby)
Operating temp	-40°C to +75°C
Weather Protection	IP67

Integration and Data

Control I/O	Gigabit Ethernet
Power I/O	Snap lock 12 pin connector
Data output	R/Vmaps: 40 MB/s Detections: 1 MB/s Measurements: 1 MB/s Tracks: 25 kB/s

FCC Identifier

2ANLB-MESADAA00051

Ordering Information

■ color: White

700-0005-201-100