

EchoGuard[®]

Airspace Management Radar

UAS Mission Safety.
Delivered.



The leading airspace management radar for high performance ground-based detect and avoid (GBDAA).

Easily configurable to site and mission requirements through an intuitive user interface.

Ultra-low size, weight, power and cost (SWaP-C) active beam-steering radar for fixed sites as well as truly portable for temporary applications.

Generates high fidelity data that easily integrates into C2 systems - from fully processed Tracks data to CFAR Detections data to raw Range/Velocity maps.

Echodyne offers the best radar for mid-range airspace surveillance and deconfliction.



Cessna
> 2.5 km



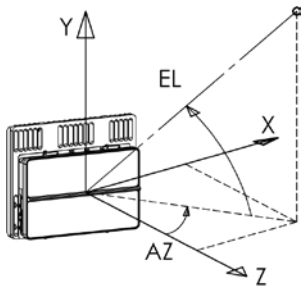
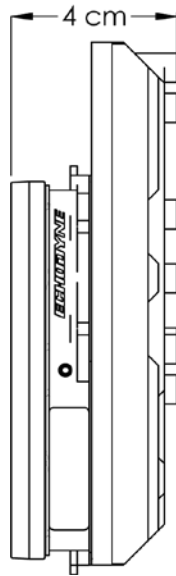
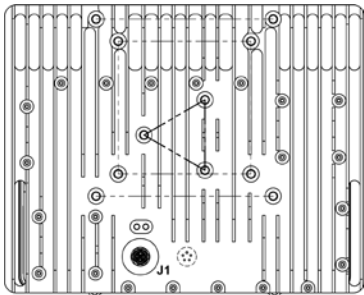
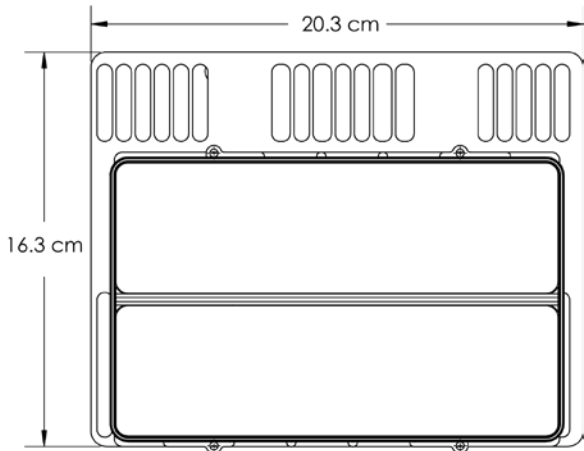
Matrice 600
> 1.4 km



Phantom 4
> 1 km

EchoGuard

Airspace Management Radar



Ordering Information

■ color: White

700-0005-203-100

Performance

Instrumented Range	6 km
Range (sUAV)	> 1 km (Phantom 4) > 1.4 km (Matrice 600)
Range (Cessna)	> 2.5 km
Field of view	120° azimuth x 80° elevation
Angular accuracy	1° azimuth x 3° elevation
Frequency	24.45 - 24.65 GHz (multi-channel)

Search While Track

Scan volume	User configurable
Search update rate	~1 Hz for 120° az x 60° el volume
Track acquisition rate	New tracks acquired <1 sec
Search While Track	Tracks updated up to 10 Hz while radar intelligently scans rest of FOV
Max tracks	Up to 20 simultaneous tracks
Modes	Operational modes enable quick simple tracking of humans & UAVs

SWaP and Environmental

Size	20.3 cm x 16.3 cm x 4 cm
Weight	1.25 kg (2.75 lbs)
Power	DC +15 V to +28 V
Operating	< 50 W (Operating) < 15 W (Hot standby)
Operating temp	-40°C to +75°C
Weather Protection	IP67

Integration and Data

Control I/O	Gigabit Ethernet
Power I/O	Snap lock 12 pin connector
Data output	R/Vmaps: 40 MB/s Detections: 1 MB/s Measurements: 1 MB/s Tracks: 25 kB/s
Mounting	VESA 75 & 100 mm

FCC Identifier

2ANLB-MESASSR00053